

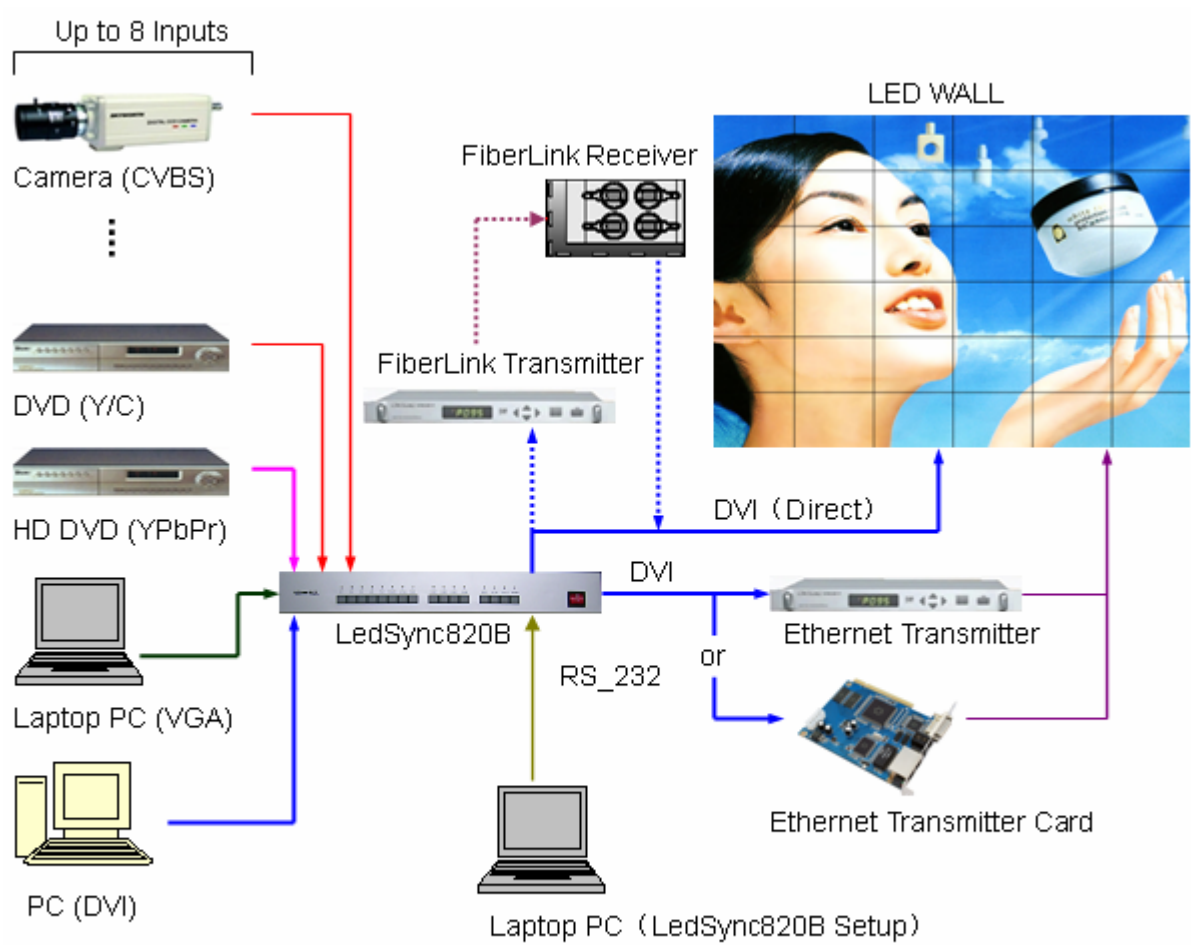
# LedSync820B



## ● Professional Solution to Drive LED Walls

1. Digital Video Decoder
2. Video Decoder Adjustments (NTSC, PAL) Brightness, Contrast, Hue, Saturation
3. Adaptive 2/4-line Comb filter for Two Dimensional Chrominance/Luminance Separation
4. State-of-the-art Motion-Adaptive Deinterlace Processor
5. Intelligent Edge Deinterlacing
6. Digital Color/Luminance Transient Improvement (DCTI/DLTI)
7. Advanced 4x4 Pixels Interpolation Scaling Algorithm
8. Independent H and V Scaling Ratios
9. 10-bit Processing
10. User-defined Gamma Value from 0.4 to 3.99
11. 8 levels output brightness selection
12. Advanced 4-symbol LUT for H and V Enlargement Scaler
13. Scaler Sharpness Control
14. User-defined Led Window Size and Location
15. 1 of 8 Sources Directly Selected by Front Panel Button, Includes:
  - 1 x DVI
  - 1 x VGA
  - 4 x CVBS
  - 1 x Y/C
  - 1 x YPbPr
16. Seamless switch between two input sources

- **System Diagram**



LedSync820B System Diagram

● Specifications

Inputs	
Nums/Type	1×RGBHV 1×DVI 1×YPbPr(HDTV) 4×CVBS 1×Y/C(S-Video)
Video system	PAL/NTSC
CVBS Scope/Impedance	1V ( p_p ) / 75Ω
Y/C Scope/Impedance	Y : 0.7V ( p_p ) / 75Ω , C : 0.35V ( p_p ) / 75Ω
RGB/DVI resolution	1280×1024@60Hz , 1024×768@60Hz , 800×600@60Hz
RGB Scope/Impedance	0.7 V ( p_p ) / 75Ω
YPbPr ( HDTV ) system	720p@60Hz , 1080i@60Hz
YPbPr ( HDTV ) Scope/Impedance	Y : -0.3V ~ +0.7V ( p_p ) / 75Ω Pb: -0.35V ~ +0.35V ( p_p ) / 75Ω Pr: -0.35V ~ +0.35V ( p_p ) / 75Ω
Connectors	RGBHV : 15pin D_Sub(female) DVI : 24+1 DVI_D YPbPr(HDTV): BNC×3 CVBS : BNC Y/C : 4pin mini DIN(female)
Outputs	
Nums/Type	1×RGBHV 1×DVI
RGB/DVI resolution	1024×768@60Hz
RGB Scope/Impedance	0.7 V ( p_p ) / 75Ω
Connectors	RGBHV : 15pin D_Sub(female) DVI : 24+1 DVI_D
Others	
Control	RS 232、 Panel Button
Power	100-240VAC 50/60Hz 60W max
Operating Temp	5-40
Humidity	15-85%
Size	60 mm ( high ) × 425mm ( wide ) × 280mm ( deep )
Weight	4.5 Kg