

Main Function and Photos of Rental Items

1. Flight Case:

Introduction: it is made from plywood. It is with 4 -8 wheels on the bottom and two tough handles on two sides.

Main Function: it is convenient for customers to move LED display from this place to another place, so it is for rental use.

Photos:



2.Lock Button :

Introduction: it is made from aluminum alloy .it is like lock to fasten two cabinets fast.

Main Function: faster assemble & better led screen flatness, less screen gap.

Photos:



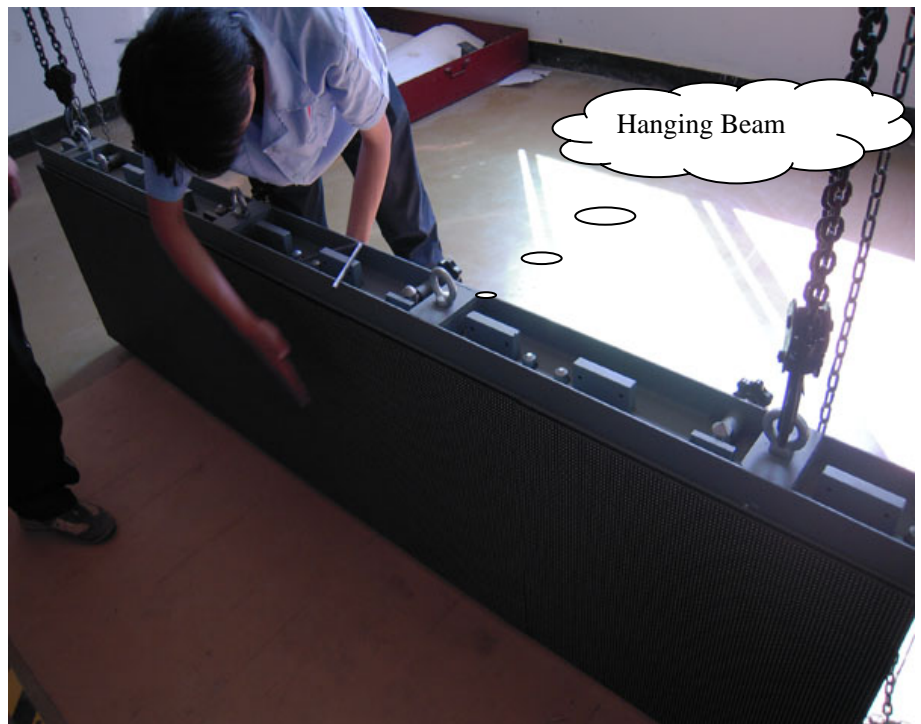
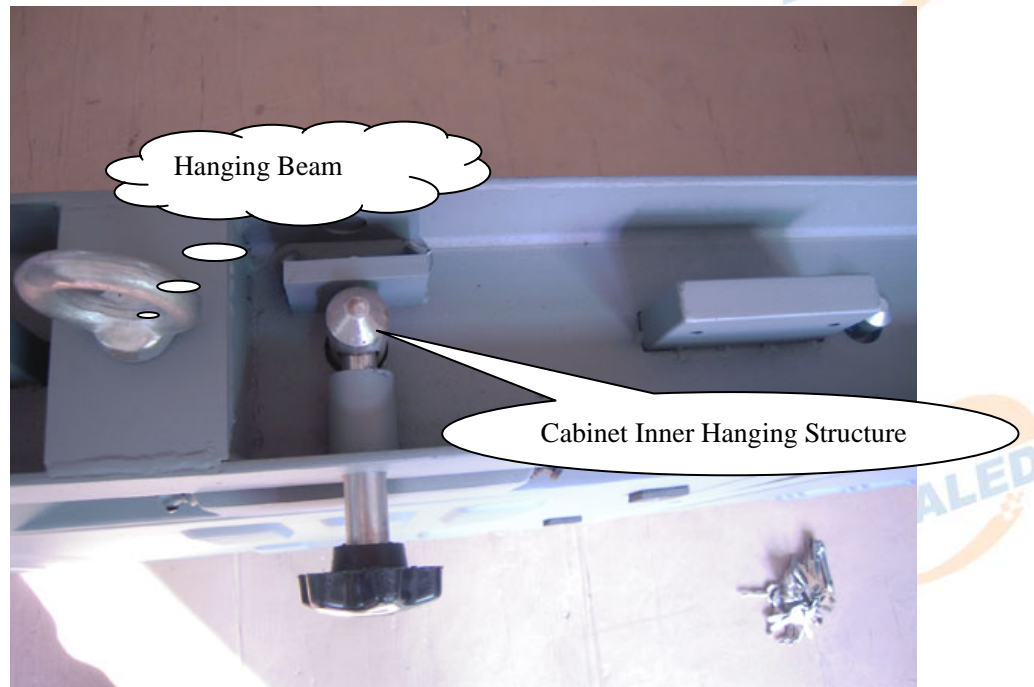
Usage:



3. Cabinet Inner Hanging Structure & Hanging Beam & Hanging cork bas

Introduction: When height of whole led display is more than 4 meters, furthermore led display is swing on the air, Hanging cork bas is necessary.

Photos:



4. Multi-function Card

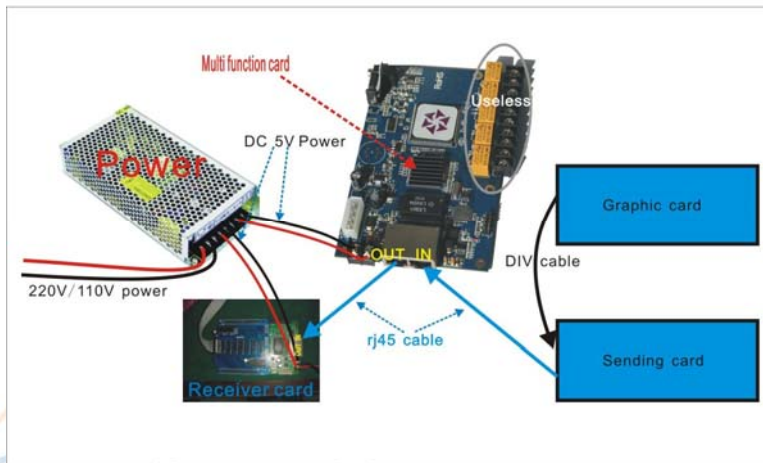
Introduction : There are two sensors on card . One is sensor of temperature, the other is sensor of brightness .

Main Function : Automatic Brightness Changing , Error Alarm and Showing Temperature on LED Display.

Photo:



Connection Layout :



5. Video Processor

Introduction: showing video source from DVD , TV , camera and other signal .



Connection Layout :

